

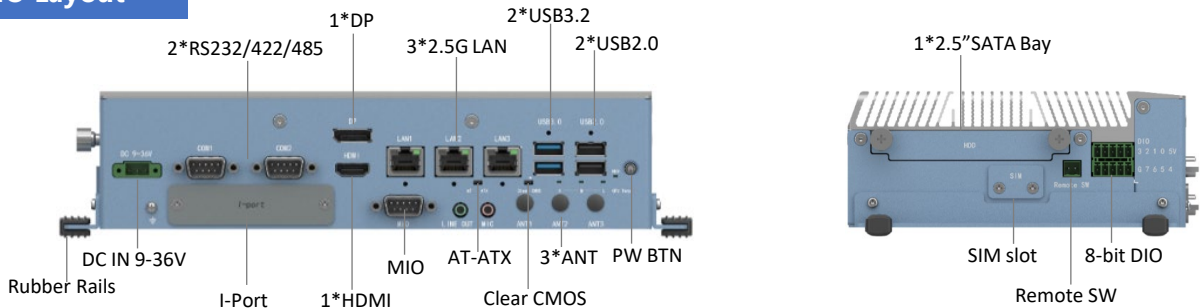
Key Features

- Intel® Tiger lake U Soc CPU
- 3*I255V LAN, support iAMT13.0
- 1*DP+1*HDMI 8K+4K dual display output
- 1*Mini PCIe support Wifi/BT, 1*M.2 B-Key with SIM slot support 5G NR module
- 1*M.2 M-Key, 1*mSATA, 1*SATA3.0
- DC 9~36V, with short circuit, over voltage and over current protection
- Support desktop and Din-Rail mounting

Product Overview

KMDA-3301 is powered by Intel® Tiger lake U Soc CPU series and fanless designed, support Intel DL boost deep learning technology, shock absorption design, very suitable for C-V2X MEC computing, AGV, machine vision and other applications.

The IO Layout

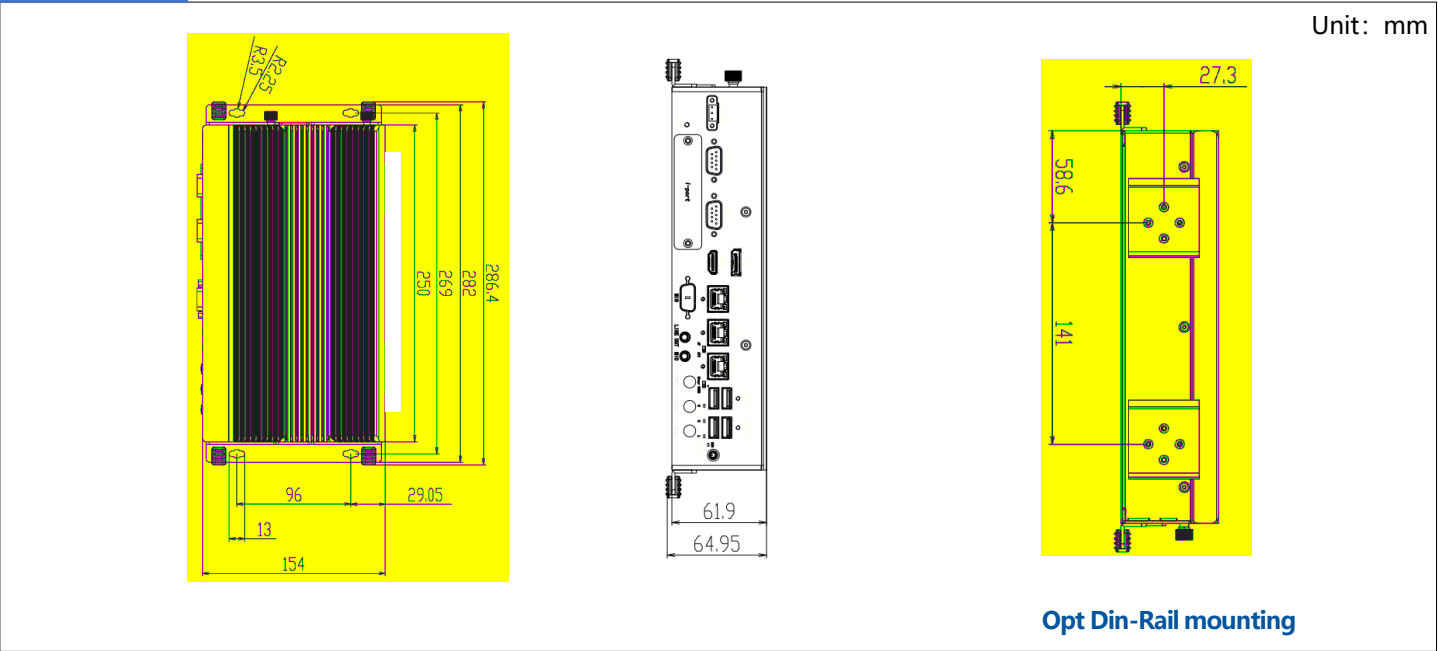


Product SPEC

CPU	Intel® Tigerlake U Celeron/Core I3/I5/I7 CPU
System Memory	2*DDR4 SO-DIMM slot, support 3200MHz, max 64GB
Expansion	1*full size Mini PCIe, with PCIe X1+USB2.0 signal, support Wifi/BT module 1*M.2 3052 B-Key, with SIM slot, PCIe X1+USB2.0, support 4G LTE or 5G NR module 1*M.2 22080 M-Key, PCIe x2 Gen4.0 signal, support high speed signal function card
Graphics	Intel UHD Graphics or iRIS® X ^e Graphics, Supports Intel DL boost deep learning technology, DirectX12.1, OpenGL 4.6 and OpenCL 2.0, HDMI 2.0 max res 4096x2304@60Hz, DP 1.4 max res 7680x4320@60Hz
Audio	Realtek ALC662 controller (Opt.)
LAN	3*Intel I225V, 10M / 100M / 1000M / 2.5G, support iAMT 13.0
Storage	1*2.5" SATA bay, max support 6.0Gbps transport speed; 1*full size mSATA, support AHCI 1*M.2 22080 M-Key(Pcie x2 Gen4.0), high speed NVME SSD
I/O Interface	3*2.5G-LAN(RJ45, with anti-vibration screw); 1*HDMI+1*DP:opt. 1*Audio out&1*Mic 2*3.5mm phone jack 2*USB3.2 (Type A gen 2.0, with anti-vibration screw), max support 10.0Gbps transport speed, 2*USB2.0(Type A, with anti-vibration screw); 1*USB2.0(Type A) internal; 1*USB2.0(pin header) internal; 2*RS232/422/485 (DB9 Male); 1*MIO (opt support internal expansion module) 1*8-bit DIO (2*5Pin phoenix term, left side), 1*SIM slot (left side)
I-port	Support internal 1*USB2.0, or Mini-Pcie, M.2 and ect expansion module such as dual Gig-LAN module, Can bus or COM ect
LED	1*Power LED, 1*HDD LED, 3*CPU temp LED (Red is warning, Yellow is high, Green is normal)
Control SW	1*Power button w/LED, 1*Remote SW, 1*AT/ATX SW, 1*Clear CMOS SW
Power supply	DC 9-36V, 1*3-pin phoenix term, with short circuit, over voltage and over current protection TDP: 12V/2.00A(i7-1165G7 CPU, 4G DDR4 Ram, 64G SSD)
Watchdog timer	Watchdog timeout programmable via software 1 to 255 second
OS	Windows 10 64 bit, SUSE, Ubuntu, Wind River, Linux

Mechanical	SGCC chassis, Aluminum frame
Color	Blue+white
Mounting	Desk mounting with rubber Rails, opt Din-Rail mounting
Dimension	(L*W*H): 250*154*61.9mm
Net weight	2.55kg
Operating temperature	-20 ~ 65°C, wide temp SSD, airflow
Storage temperature	-40°C~85°C
Storage humidity	10~90%@40°C, Non-condensing
Vibration	5grms/5~500Hz/ random/in working(SSD); 1grms/5~500Hz/random/in working(HDD)
Shock	50g peak acceleration(11ms duration)(SSD); 20g peak acceleration(11ms duration)(HDD)
EMC and Certification	CE/FCC Class B

Dimension



Ordering Info.

Model No	CPU	Introduction
KMDA-3301-S001	Intel® Core I3-1115G4	2*DDR4 SODIMM, 3*2.5G-LAN, 2*USB3.2, 4*USB2.0, 2*COM, 8-bit DIO, 1*DP, 1*HDMI, opt. Audio out & Mic, 1*Mini PCIe, 1*M.2 B-key, 1*M.2 M-Key, 1*MIO,1*I-Port, 1*mSATA, 1*2.5" SATA bay, DC-IN 9-36V
KMDA-3301-S002	Intel® Core I5-1135G7	
KMDA-3301-S003	Intel® Core I7-1165G7	
KMDA-3301-S004	Intel® Celeron 6305E	
PA-60DC12		AC/DC power adapter, DC 12V/5A 60W