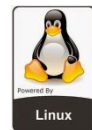


ITPC-B150 15 inch Fanless Capacitive Touch Panel PC



Features:

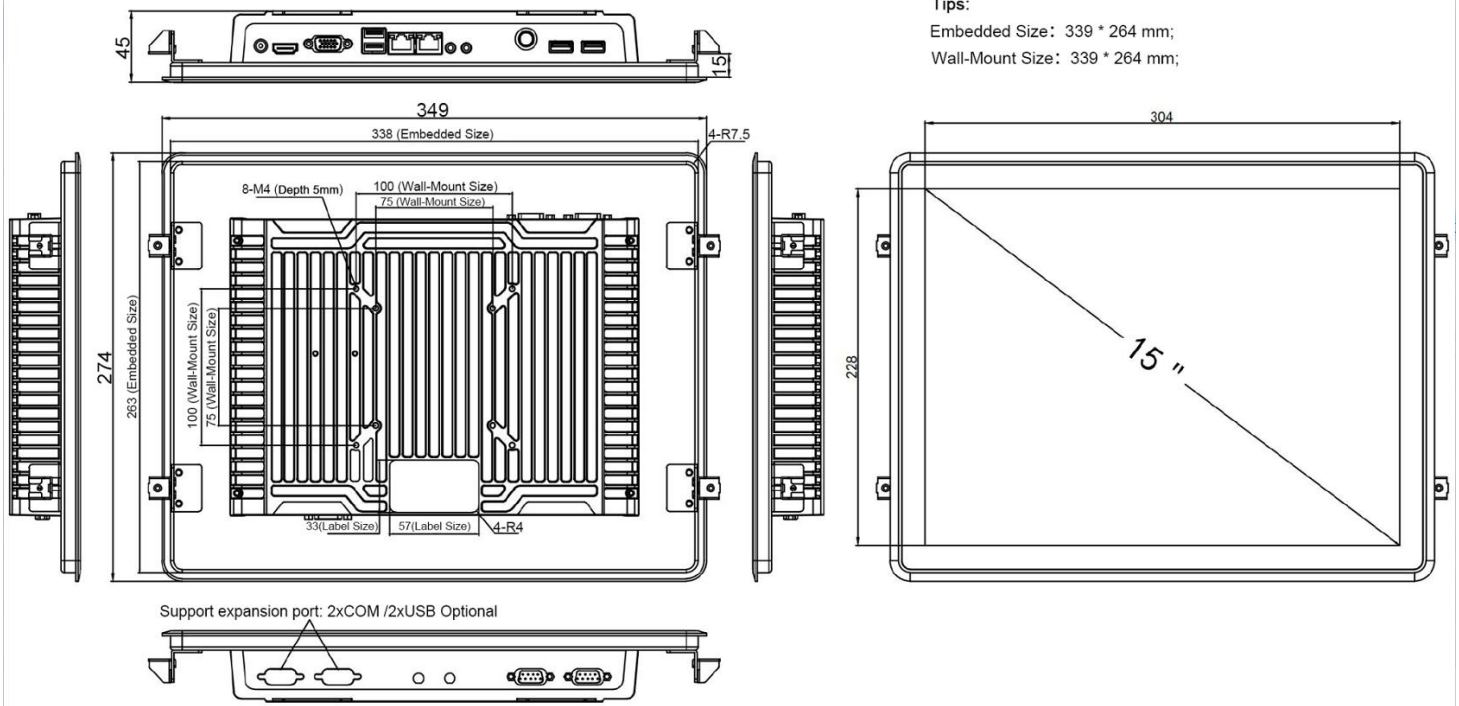
- ◇ All aluminum alloy structure, fanless design;
- ◇ Intel Celeron J1900,4th/6th Gen Core i5
- ◇ Adopt HD Industrial LCD screen and multi-point capacitive touch screen;
- ◇ Support 1x MSATA slot, 1x 2.5inch SSD/HDD;
- ◇ 4x COM Optional, COM2 Support RS232/485
- ◇ Support Desktop, Wall-mounted, Embedded, VESA standards installation;
- ◇ Full flat front panel, IP65 level protection;
- ◇ Applied OS:



Specification

Model	ITPC-B170
Color	Gray
Material	Aluminum alloy chassis
Processor	Intel Celeron J1900 (Quad core quad threads, 2.0GHz, TDW:10W) Intel Core i5 4200U/J1900 (Dual core quad threads, 1.6GHz, Maximum Turbo 2.6 GHz) Intel Core i5 6360U (Dual core quad threads, 2.0 GHz, Maximum Turbo 3.1 GHz)
Chipset	Intel CPU integrated chip
RAM	J1900: 1*DDR3 1333/1600 SODIMM Memory Slot, Max. Support 8GB i5-4200U: 1*DDR3 1333/1600 SODIMM Memory Slot, Max. Support 8GB i5-6360U: 1*DDR3L 1600 SODIMM Memory Slot, Max. Support 16 GB
BIOS	AMI UEFI BIOS
Display Chip	J1900: Intel HD Graphics i5-4200U: Intel HD Graphics 4400 i5-6360U: Intel HD Graphics 540
Display Port	1xVGA, 1xHDMI, 1xLVDS; (Support synchronous and asynchronous dual display)
Storage	Support 1x MSATA slot, 1x 2.5inch SSD/HDD
Expansion Slot	Support 1x Mini PCIE slot (WIFI/4G Optional)
I/O	1xPower Switch, 1xDC, 1xHDMI, 1xVGA, 2xUSB3.0, 2xUSB2.0 2x RTL8111H 1000M Lan, 1xMic, 1xLine Out, 2xCOM(COM2 RS232/RS485 Optional)
LCD	Size: 15 inch TFT-LCD Ratio: 4: 3; Resolution: 1024* 768; Brightness: 250 cd/m ² Viewing Angle: 70/70/65/60
Touch Screen	Multi-touch Capacitive touch screen, Lifetime: more than 50000 Thousand Times;
Speaker	Two 8-ohm 2-watt speaker
Input Voltage	DC 12V
Work Temp	0°C -- +50°C, Surface air flow
Work Humidity	5% -- 95% non-condensing
Dimension	349 * 274 * 45 mm
Installation size	Embedded Size: 339 * 264 mm; Wall-Mount Size: 75 * 75 mm/100 * 100 mm
Weight	3.19 kg
Application	Industrial automation, medical, logistics and transportation, warehousing, electronic education and other fields

ITPC-B150 Drawing



Accessories List

Name	Quantity	Specification
Power Adapter	1	12V 5A
Power Cord	1	Any Plug Optional (China, US, EU, UK etc.)
Embedded Mounting Clip	4	For Standard Embedded Installation
Desktop, wall-mounted, Stereo stand	1	Optional Accessories

Order information

Configuration	Processor	Port Configuration
Configuration 1	Intel Celeron J1900	Standard Port (J1900 1xUSB3.0,3xUSB2.0)
Configuration 2	Intel Core i5-4200U	Standard Port
Configuration 3	Intel Core i5-6360U	Standard Port (2xIntel I211 Lan port)